

HATT

HYVEE AIRCRAFT TRANSPORT/RECOVERY TRAILERS

No Crane Required • Safely Recovers Aircraft Without Lifting

Combat Proven • Force Protector • Sustaining Aircraft • Off-Road or Flightline Recoveries



**OH58 Model
Now In Army Inventory
Class 9: 2330-01-560-6538
All Aircraft Models Available
Get a HATT**

PUBLIC RELEASED 3262



HYVEE EQUIPMENT, LLC

HYVEE AIRCRAFT TRANSPORT/RECOVERY TRAILERS

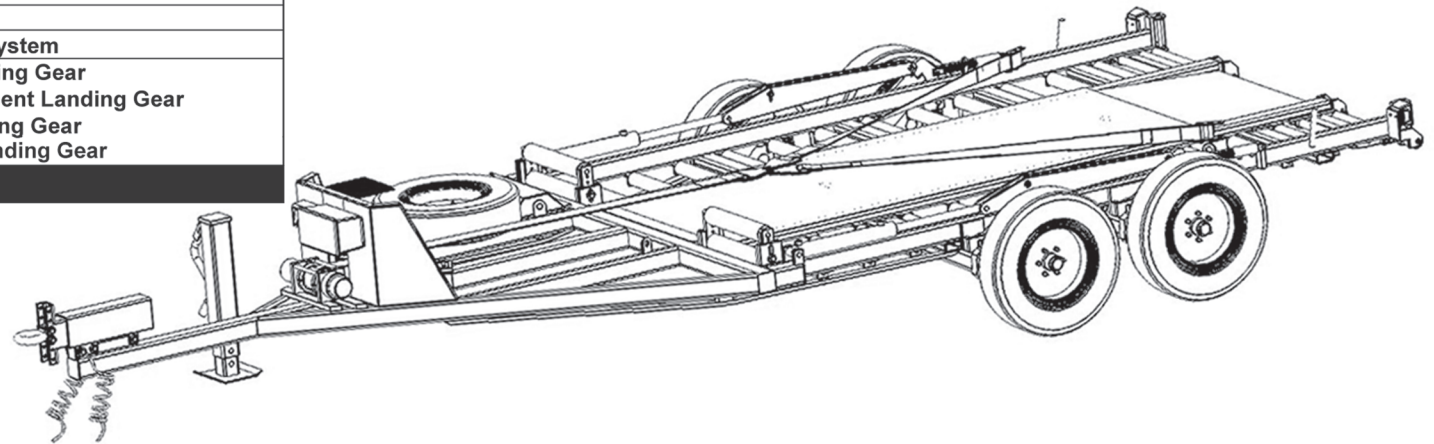
Ground Recovery Reduces Damage Loading and unloading aircraft from the ground reduces damage to airframes due to aerial recovery, disassembly for crane lifting, or ground wheel transport.

Ground Recovery Reduces Manpower and Equipment Requirements Recovering an aircraft requires one HATT and one vehicle. Designed for two person loading, most recoveries require no other equipment than securing straps. Fold the blades and away you go. Less manpower. No crane. No additional flatbed for crane. No additional aircraft. No special tools. No ground handling wheels.

Ground Recovery Enhances Safety and Reduces Risk Recovering a downed aircraft in minutes versus hours reduces warfighter exposure. The HATT eliminates unnecessary aerial recoveries, complex sling-loads, and specialized rig/lift cranes.

OH58-TH67 MODEL:

NSN	2330-01-560-6538
PART NUMBER	HATOH58-S24S
CAGE CODE	1UKR6
NOMENCLATURE	TRAILER,RECOVERY
DESCRIPTION	OH58 Aircraft Recovery System
AIRCRAFT MODELS	OH58 with Standard Landing Gear OH58 with Rapid Deployment Landing Gear TH67 with Standard Landing Gear Bell 206 with Standard Landing Gear
Requisition Data for OH58 Tactical HATT	



ALL AIRCRAFT MODELS AVAILABLE. CUSTOM MODELS AVAILABLE INCLUDING MULTI-AIRCRAFT USAGE. NEW UH60 AND AH64. WHEELED, SKIDDED, UAVS. JUST ASK. OPTIONS AVAILABLE BLADE RACKS, PINTLE HEIGHT ADJUSTMENT KITS, TARPS. JUST ASK.

HyVee can provide the full spectrum of logistics support necessary to sustain the equipment including Training, Repair and Replacement Parts, Technical Support, Publications, and RESET for all products. We ship Spare and Repair Parts on short notice which reduces the user logistics tail and inventory costs.

Force Protector and Force Multiplier Radically reduces forces, time and equipment to safely load operable or inoperable aircraft.

Off-Road or Flightline/Highway Ground recovery is accomplished on improved and unimproved surfaces. Active suspension enables Flightline, Off-Road or highway use.

Saves Flight Hours and Costs No pilot needed.

Combat Proven Reliably used in theater in both Iraq and Afghanistan. Satisfied customers include Ft. Rucker Army Aviation, the 101st ABN DIV, 82nd ABN DIV, 4th CAV, 25th ID, Army Fleet Support, L-3 Communications, DynCorp and Ft. Eustis, AATD.



HYVEE EQUIPMENT, LLC *Exceeding Expectations in Aviation Ground Support Equipment*

1761 JARDCO DRIVE · CLARKSVILLE, TN 37040 · phone: 931.647.0951 · fax: 931.647.7855 · email: hyvee@hyveepower.com